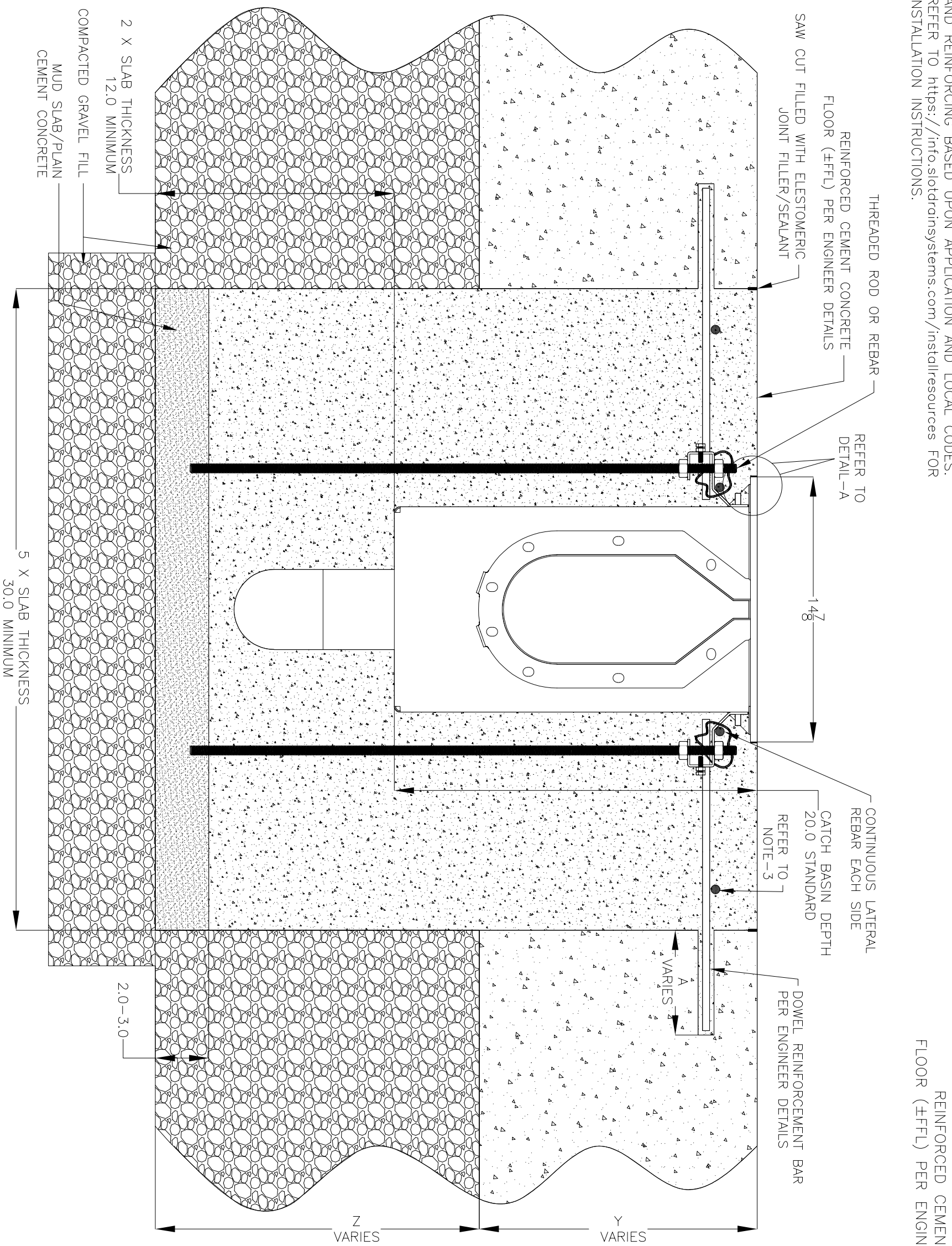
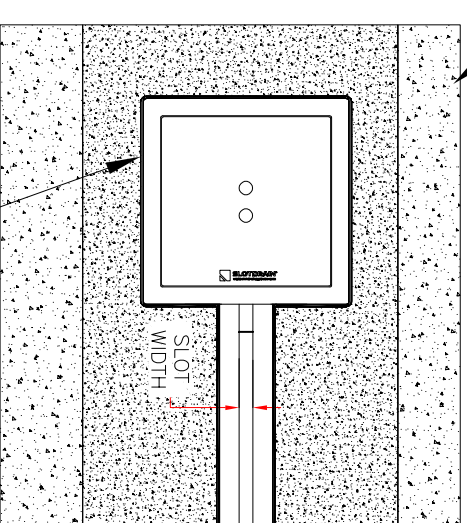


NOTES: UNLESS OTHERWISE SPECIFIED

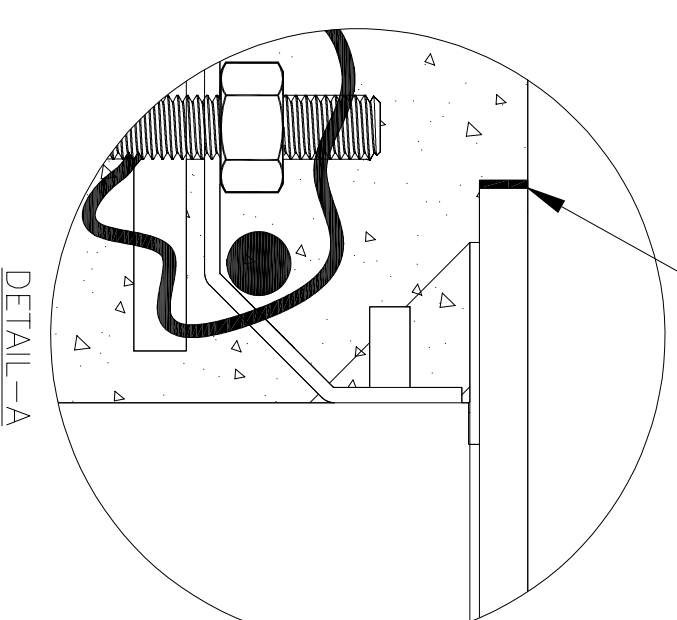
1. ALL DIMENSIONS ARE IN INCHES.
2. DRAIN BODY MATERIAL: 14GA STAINLESS STEEL T304/T316
3. SPECIFYING ENGINEER IS RESPONSIBLE FOR CONCRETE ENCASEMENT AND REINFORCING BASED UPON APPLICATION AND LOCAL CODES.
4. REFER TO <https://info.slotdrainsystems.com/installresources> FOR INSTALLATION INSTRUCTIONS.



REINFORCED CEMENT CONCRETE FLOOR (FFFL) PER ENGINEER DETAILS



SEALANT BETWEEN FFFL AND DRAIN TOP



REVISIONS

REV	DESCRIPTION	DATE	BY
0	INITIAL RELEASE - R0	11/20/2019	DK
1	UPDATED DRAWING LAYOUT & REBAR DETAILS	7/14/2021	DK



DRAWING TITLE  
CONCRETE FLOOR-RETROFIT INSTALLATION

DRAIN SERIES  
12X12X20 CATCH BASIN

DWG NO. IN-12X12X20FGPIT-100-R1  
SIZE B  
SCALE NTS  
SHEET 1 OF 1

12X12X20 CATCH BASIN INSTALLATION DETAILS

ALL DRAWINGS ARE THE EXCLUSIVE PROPERTY OF SLOT DRAIN SYSTEMS. ANY REPRODUCTION IN PART OR IN WHOLE IS PROHIBITED WITHOUT PROPER CONSENT.